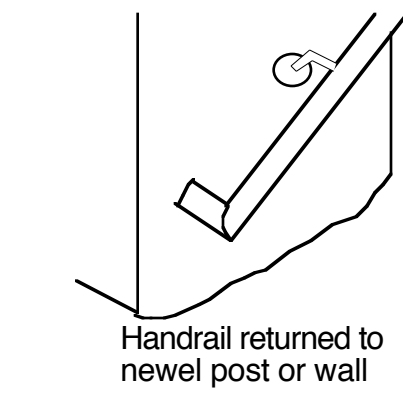
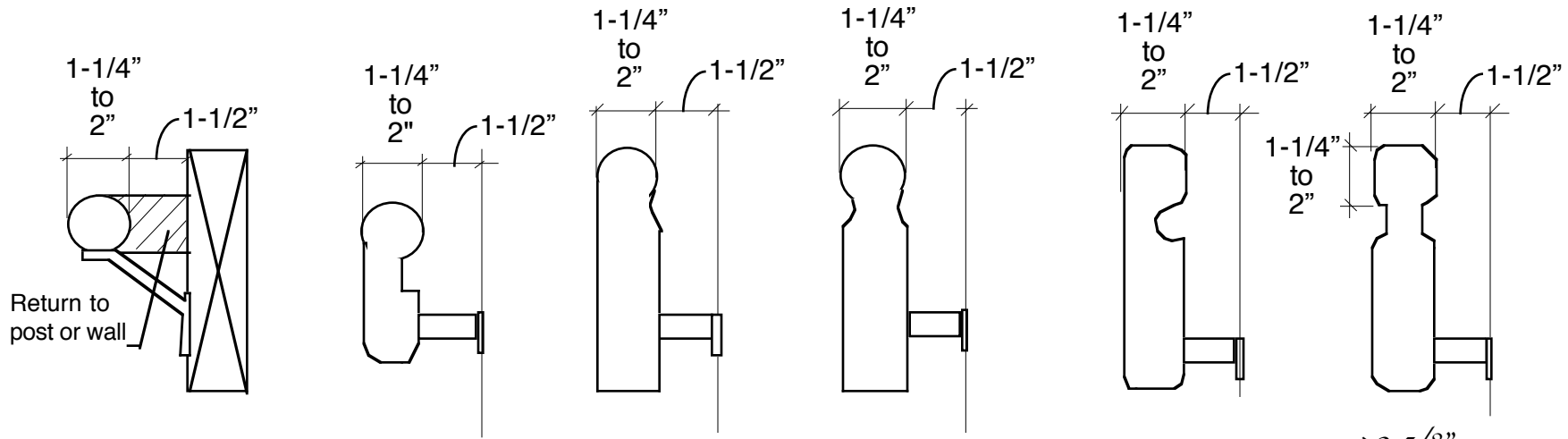
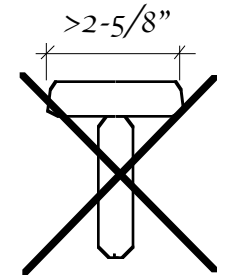


ACCEPTABLE HANDRAIL EXAMPLES

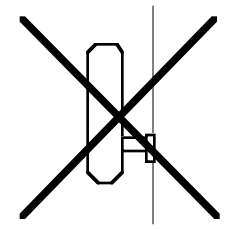


Handrail Grip Size

The hand grip portion of handrails shall have a circular cross section of 1-1/4" minimum to 2" maximum. Other handrail shapes that provide an equivalent grasping surface are permissible. Edges shall have a minimum radius of 1/8".



Not acceptable



Not acceptable

HANDRAILS SHALL BE 34" TO 38" ABOVE THE NOSE OF THE TREAD AT THE TOP AND BOTTOM OF STAIRWAY. SEE PAGE 2 FOR SPECIFIC DETAILS.